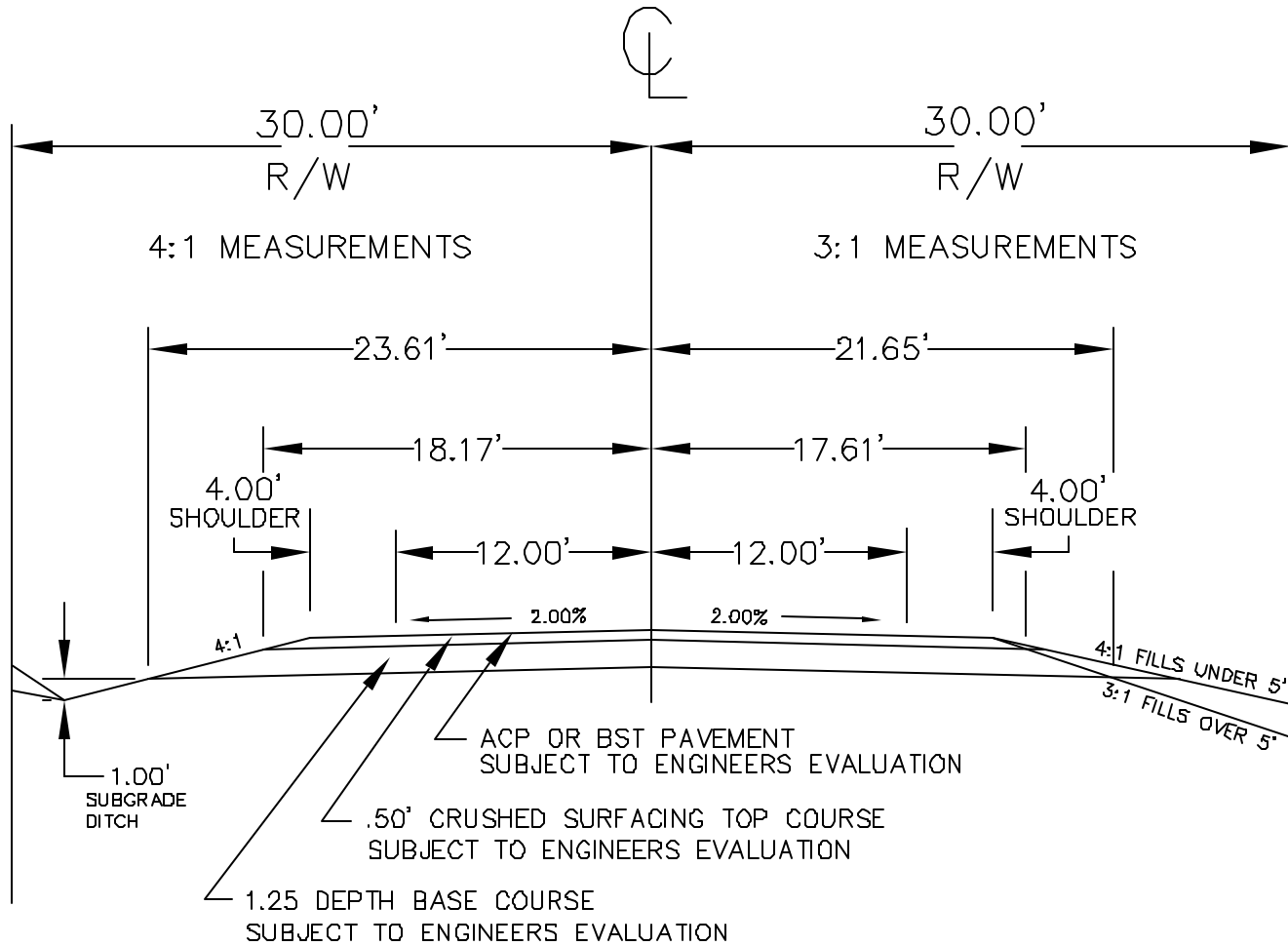


LINCOLN COUNTY DEPARTMENT OF PUBLIC WORKS



MINIMUM MAJOR AND MINOR COLLECTOR
AVERAGE DAILY TRAFFIC ABOVE 400
AND MINOR ARTERIAL