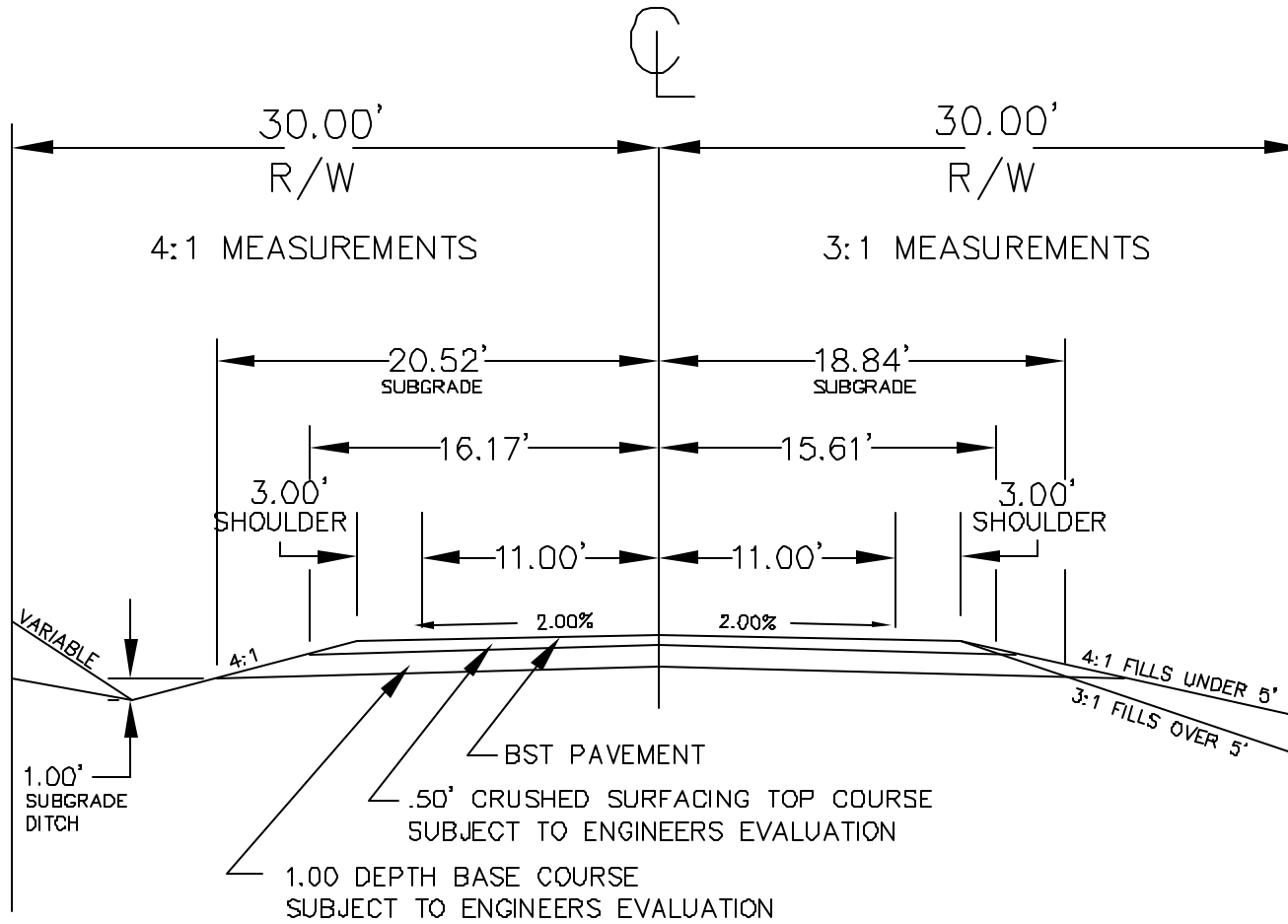


LINCOLN COUNTY DEPARTMENT OF PUBLIC WORKS



MINIMUM MAJOR AND MINOR COLLECTOR
AVERAGE DAILY TRAFFIC 150 - 400